

Original MINI accessories. Installation Instructions.



Rear Spoiler Retrofit

MINI One (R56)

MINI Cooper (R56)

MINI Cooper D (R56)

MINI Cooper S (R56)

Retrofit kit no.:	51 71 0 404 125	Rear spoiler
	51 71 0 420 491	Rear spoiler, primed
	51 71 0 420 483	Rear spoiler, black
	51 71 0 420 490	Rear spoiler, white

Installation time

The installation time is approximately 0.5 hours, but may vary depending on the condition of the car and the equipment in it.

Important information

These installation instructions are primarily designed for use within the MINI dealership organisation as well as by authorised MINI service companies.

In any event, the target group for these installation instructions is specialist personnel trained on BMW cars with the appropriate specialist knowledge.

All work must be completed using the latest MINI repair manuals, circuit diagrams, servicing manuals and work instructions, in a rational order, using the prescribed tools (special tools) and observing current health and safety regulations.


To avoid unnecessary extra work and/or costs, if any installation or function problem occurs, after a brief troubleshooting session (approx. 0.5 hours), please contact the following:


- 1. Either your national subsidiary or your regional office, or**
- 2. The support team via the Aftersales Assistance Portal (ASAP), using the optional technical parts support application.**

Specify the chassis number and the part number of the installed retrofit kit and give a precise description of the problem.

Do not archive the hard copy of these installation instructions since daily updates are made by ASAP!
All pictures show LHD cars; proceed accordingly on RHD cars.

Pictograms

 Denotes instructions that draw your attention to dangers.

 Denotes instructions that draw your attention to special features.

◀ Denotes the end of the instruction or other text.

Painting instructions

Primed parts must be pre-treated accordingly.
When painting, comply with the MINI painting instructions.

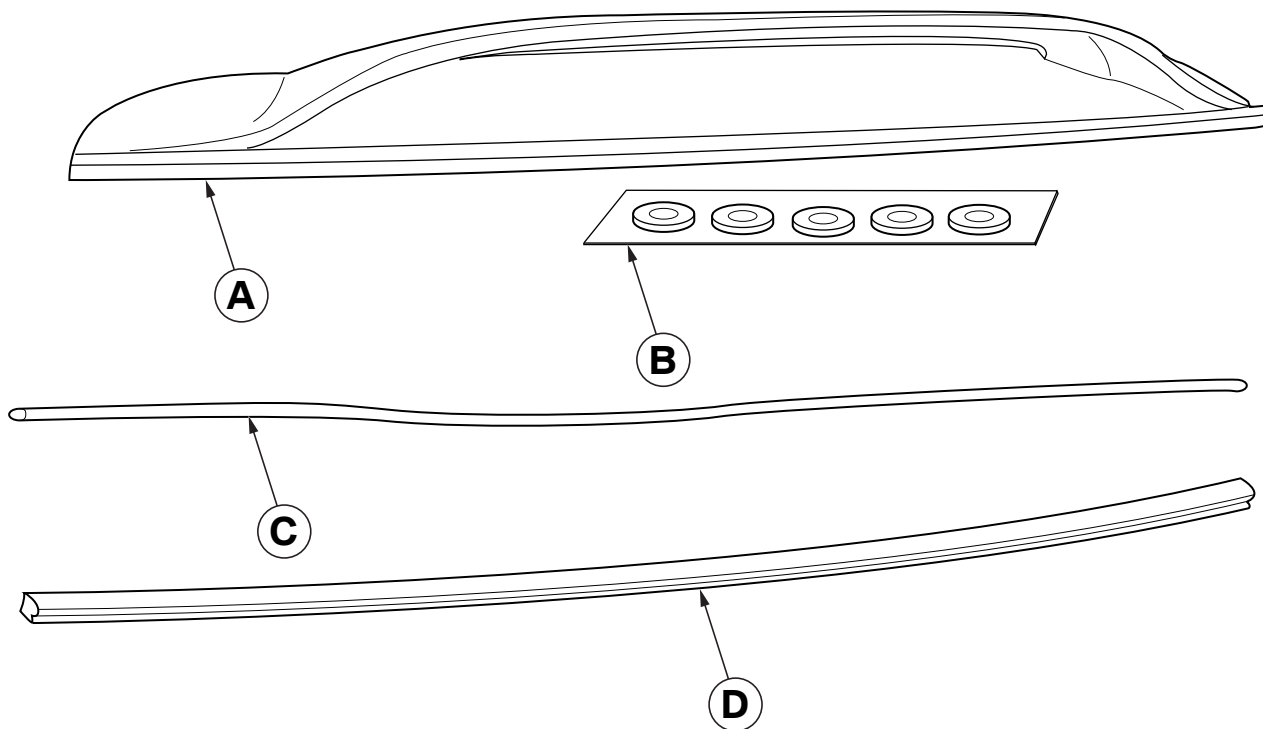
Special tools required

51 0 300, Hand roller

Contents

Chapter	Page
1. Parts overview.....	4
2. Preliminary work	5
3. Installation diagram.....	6
4. Mounting rear spoiler	7

1. Parts overview



056 0085 E

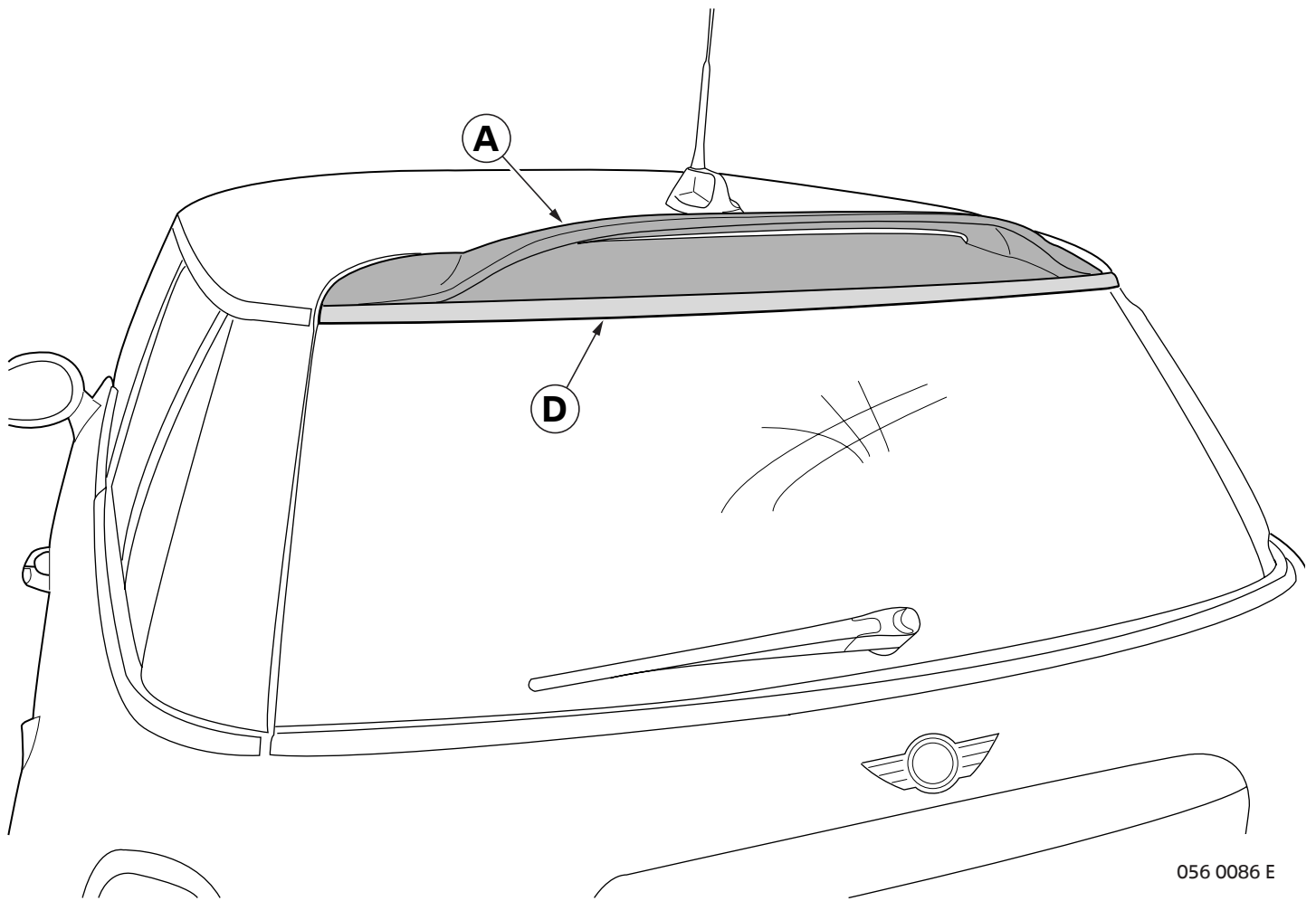
Legend

- A** Rear spoiler (1x)
- B** Sealing washer (5x)
- C** Seal (1x)
- D** Upper rear window cover strip (1x)

2. Preliminary work

	TIS No.
Dismantle the following components beforehand:	
Rear spoiler	51 71 412

3. Installation diagram

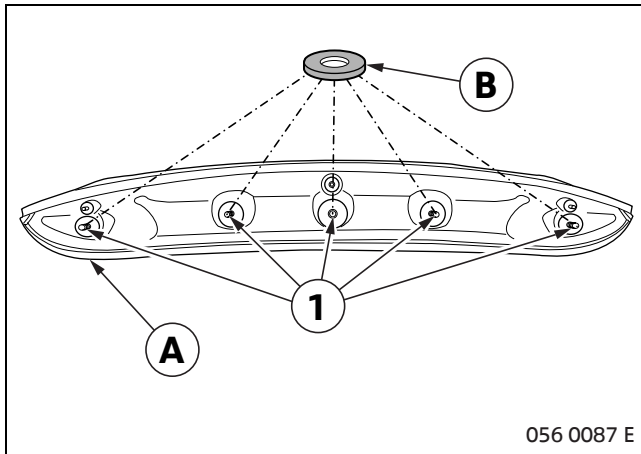


Legend

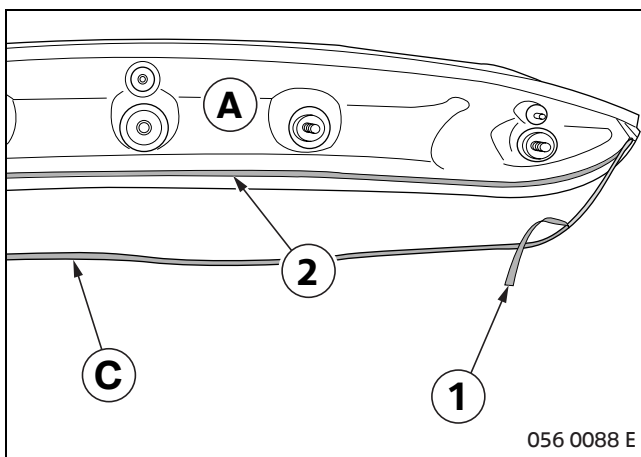
A Rear spoiler

D Upper rear window cover strip

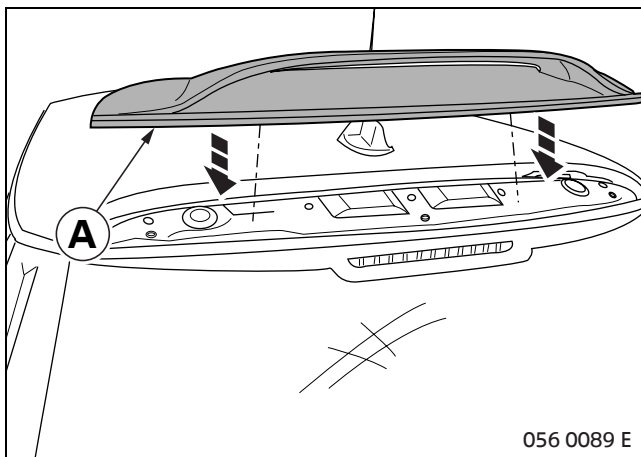
4. Mounting rear spoiler



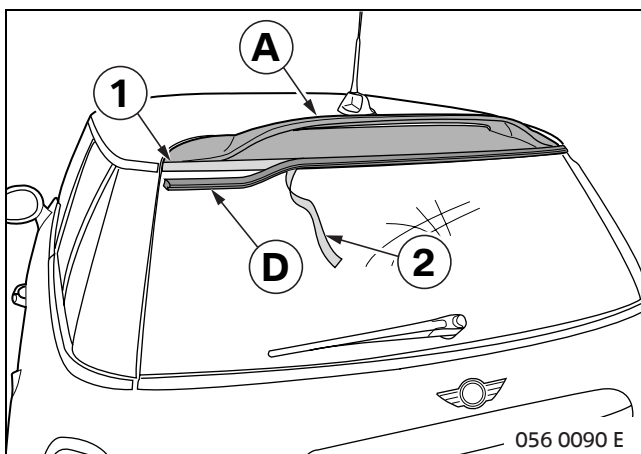
Remove sealing washers **B** from the backing material and stick over the threaded bolts (1) on the bottom of rear spoiler **A**.



Remove the protective film (1) of seal **C** and stick this in the groove (2) at the bottom of rear spoiler **A**.



Mount rear spoiler **A** on the car according to the **TIS**.



Clean the adhesive surface (1) on rear spoiler **A** with spirit. Remove the protective film (2) from cover strip **D**. Stick cover strip **D** on the rear spoiler and press on with hand roller.