

Original MINI Accessories.

Installation Instructions.



iPod Interface Retrofit

MINI ONE and COOPER (R 56)

MINI COOPER S (R 56)

These installation instructions are only valid for cars without SA 672 (CD changer) and without SA 694 (CD changer preparation).

Retrofit kit No. 65 41 0 414 728 iPod interface retrofit kit

Installation time

The installation time is approx 1.5 hours, but may vary depending on the condition of the car and the equipment in it.

In general the car must be upgraded to the latest I stage status by flashing before starting the work. Depending on the production age of the car and the work already carried out on the car, the programming times will vary, which means that we cannot quote a specific time at this point.

The installation time does not include any time for programming/encoding, as this depends on the age of the car and the equipment in it.

Important information

These installation instructions are primarily designed for use within the BMW dealership organisation and by authorised BMW service companies.

In any event, the target group for these installation instructions is specialist personnel trained on BMW cars with the appropriate specialist knowledge.

All work must be completed using the latest BMW repair manuals, circuit diagrams, servicing manuals and work instructions, in a rational order, using the prescribed tools (special tools) and observing current health and safety regulations.

To avoid unnecessary extra work and/or costs, if any installation or function problems occur, after a brief troubleshooting session (approx. 0.5 hours), contact the following:

- 1. Either your national subsidiary or your regional office, or**
- 2. The Support team via the Aftersales Assistance Portal (ASAP) using the optional technical parts support application.**

Quote the VIN and the part number of the retrofit kit and provide a detailed description of the problem.

Do not archive the hard copy of these installation instructions since daily updates are made by ASAP!

Pictograms:



Denotes instructions that draw your attention to special features.



Denotes the end of the instruction or other text.

Installation information

All pictures show LHD cars; proceed accordingly on RHD cars.

Ensure that the cables/lines are not kinked or damaged as you install them in the car. Costs incurred as a result of this will not be reimbursed by BMW AG.

Additional cables/lines that you install must be secured with cable ties.

If the specified PIN chambers are occupied, bridges, double crimps or twin-lead terminals must be used.

After the installation work the retrofit must be programmed / coded using SSS (software service station) via the **Retrofit** path.

When routing fibre optic cables, make sure the bending radius is no less than 25 mm.

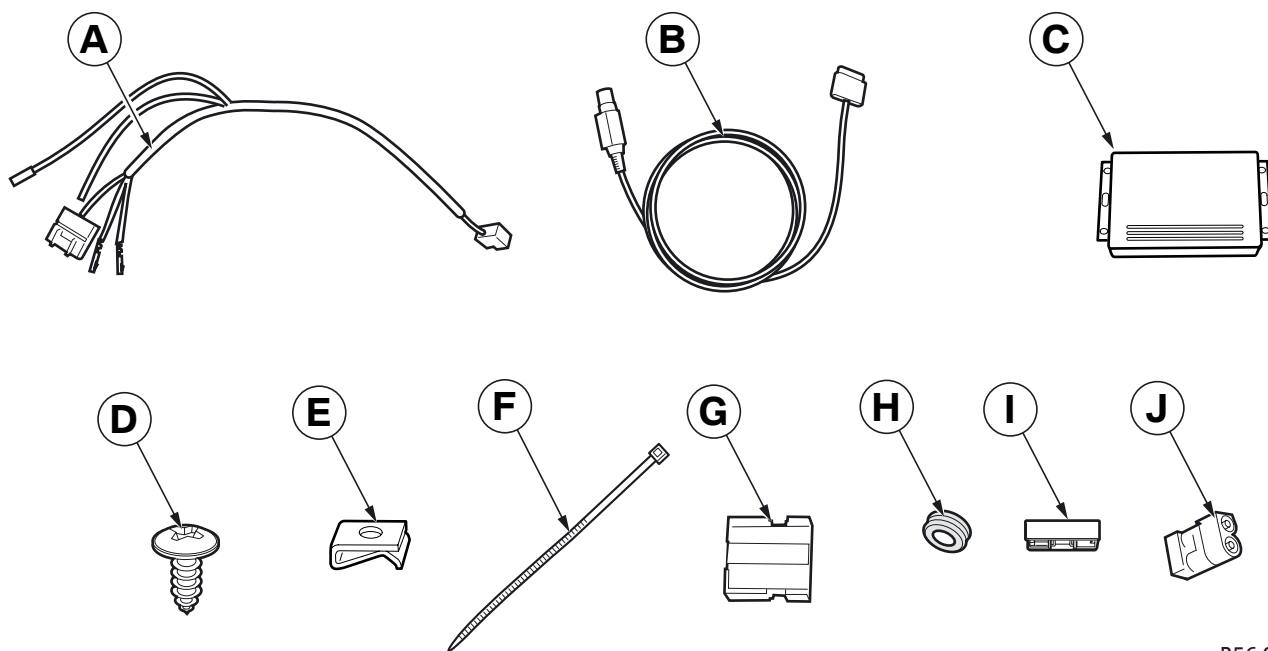
Special tools required

00 9 317, Trim wedge

Contents

Section	Page
1. Parts list	4
2. Preparatory work	5
3. Connection diagram	6
4. Installation and cabling diagram	7
5. To prepare the interface and install the connection cable	8
6. To connect the cable kit	10
7. To install the interface	11
8. Concluding work and coding	13
9. Circuit diagram	14

1. Parts list



R56 0066 Z

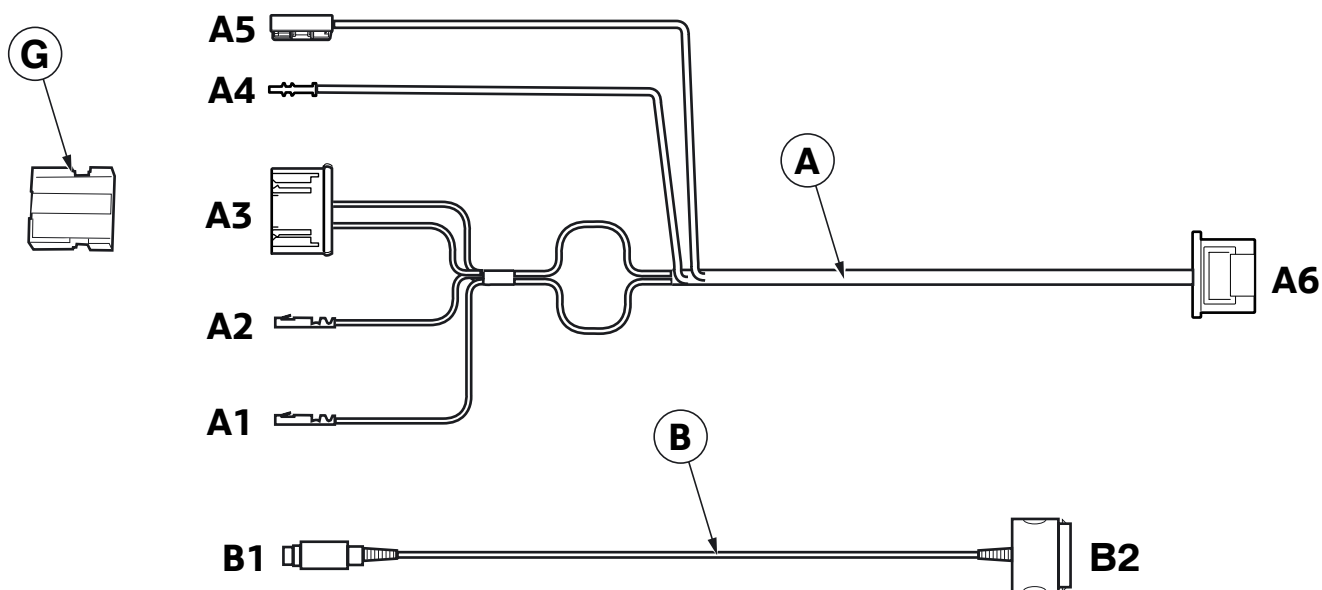
Legend

- A** Cable kit
- B** Connection cable
- C** Interface
- D** Self-tapping screw (2x)
- E** Speed nut (2x)
- F** Cable tie (10x)
- G** Black 4-pin socket casing
- H** Grommet
- I** Fibre optic cable connector (not required)
- J** Fibre optic cable casing (not required)

2. Preparatory work

	TIS No.
Conduct a brief test	---
Disconnect negative pole of battery	12 00 ...
The following components must be removed first of all	
Décor strip on right of dashboard (cars without SA 493 (shelf package) only)	51 45 380
Décor trim on left of dashboard	51 45 370
Trim for bottom of dashboard	51 45 180
Trim for side of centre console	51 45 ...
Instrument cover	51 45 435
Centre console trim	51 16 160
Complete instrument cluster	62 10 125

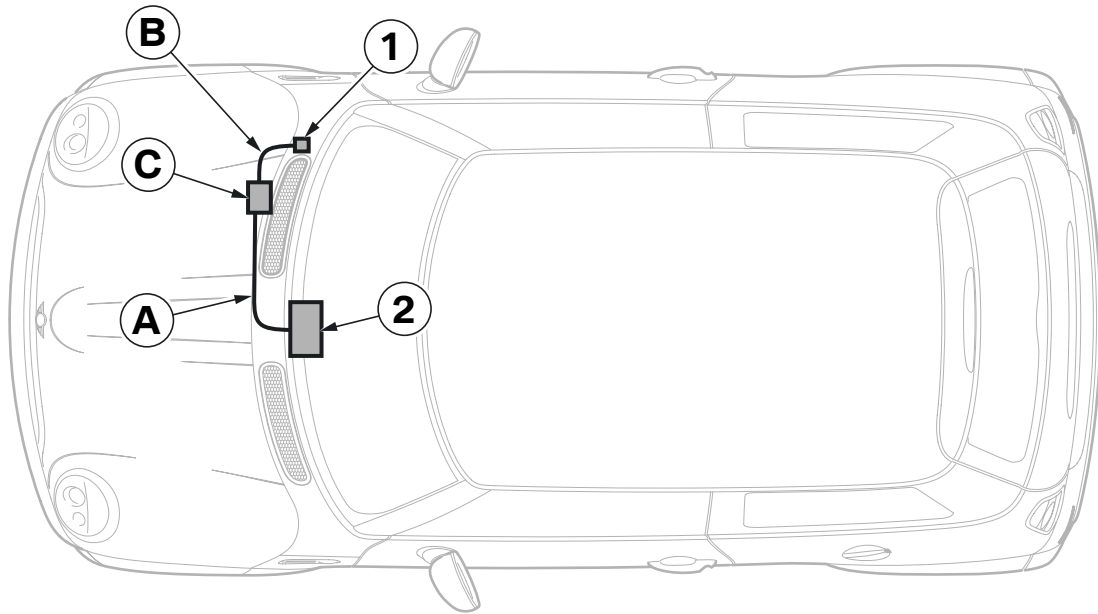
3. Connection diagram



R56 0092 Z

Branch / Item	Designation	Signal	Cable colour / Cross-section	Connection location in the car	Abbreviation / Slot
A	Cable kit	---	---	---	---
A1	Socket contact	Terminal 30	RT 2.5 mm ²	On radio receiver	X13812 PIN 15
A2	Socket contact	Terminal 31	BR 2.5 mm ²	On radio receiver	X13812 PIN 12
A3	Black 4-pin plug casing	---	---	On socket casing G	---
A4	Fibre optic cable	MOST	GN	On radio receiver	X13815 PIN 1
A5	Fibre optic cable connector	MOST	GN	On disconnected fibre optic cable of the radio receiver	---
A6	Black 4+2-pin socket casing	---	---	On interface C	---
B	Connection cable	---	---	---	---
B1	Black 12-pin socket casing	---	---	On interface C	---
B2	iPod connection plug	---	---	On iPod	---
G	Black 4-pin socket casing	---	---	With cables disconnected from radio receiver on branch A3	---

4. Installation and cabling diagram

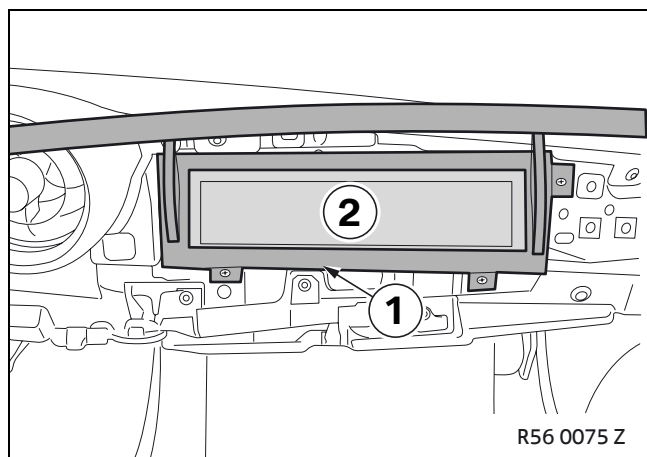


R56 0067 Z

Legend

- A** Cable kit
 - B** Connection cable
 - C** Interface
-
- 1** iPod connection plug **B2**
 - 2** Radio receiver, plug **X13812** and **X13815**

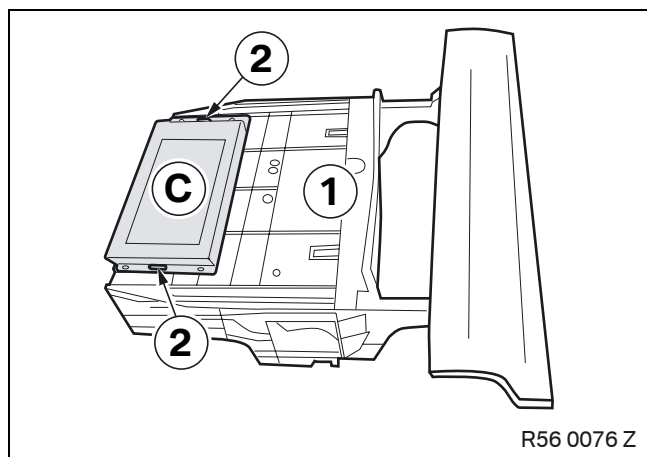
5. To prepare the interface and install the connection cable



Cars with SA 493 (shelf package) only

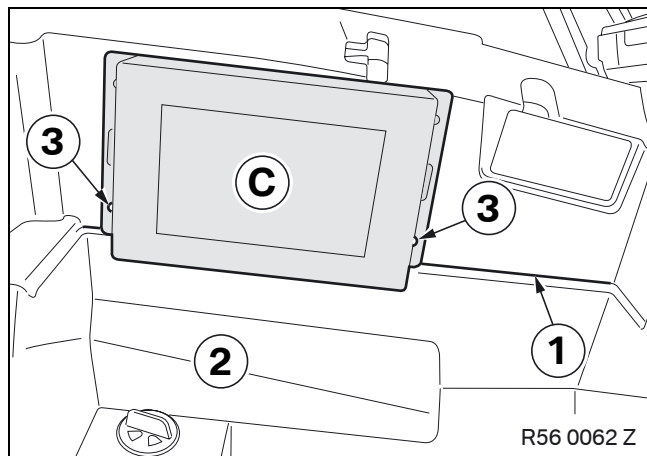
Remove the storage compartment (1).

Remove the insert (2) (no longer required).



Hold interface C against the rear edge of the storage compartment (1).

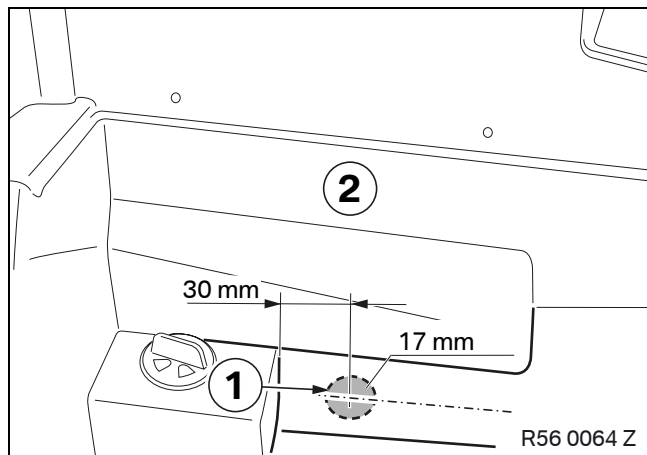
Mark both holes (2) on the storage compartment (1) and drill them with a 5 mm twist drill bit.



Cars without SA 493 (shelf package) only

Hold interface C against the edge (1) in the glove compartment (2).

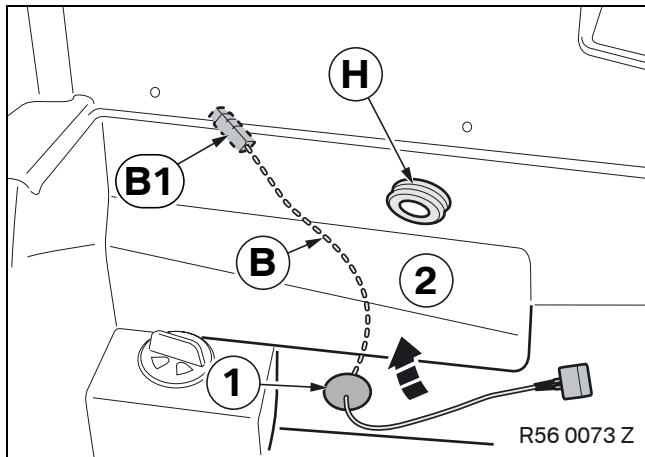
Mark both holes (3) on the glove compartment (2) and drill them with a 5 mm twist drill bit.



All cars

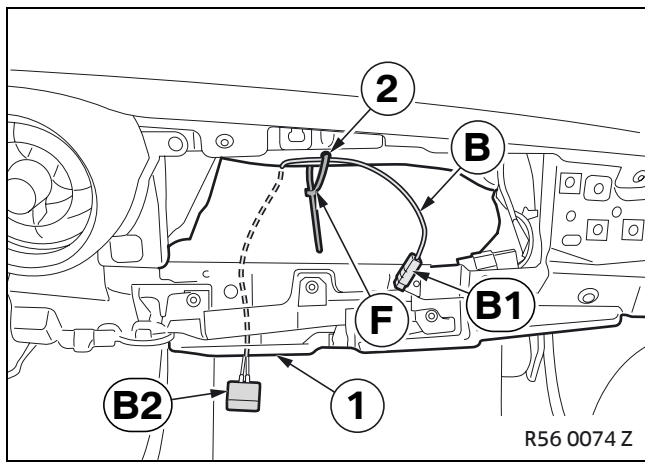
Drill through the hole (1) in the glove compartment (2) using a 17 mm step drill bit using the dimensions shown.

5. To prepare the interface and install the connection cable



Install connection cable **B** as follows:

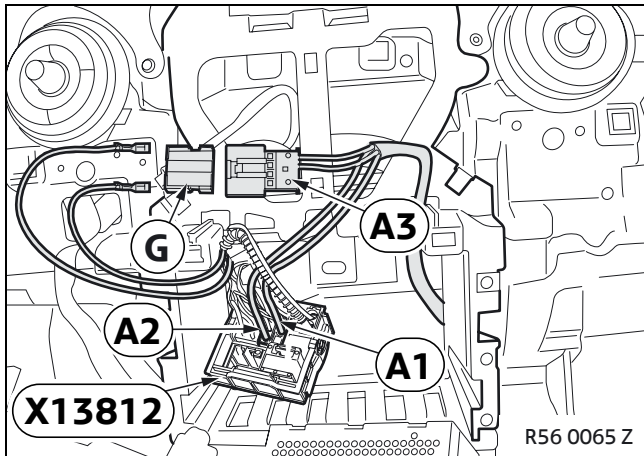
- Route branch **B1** through the hole (1)
- Push grommet **H** onto branch **B1** and insert it into the hole (1)



Pull branch **B1** of connection cable **B** to the inside until iPod connection plug **B2** is located just above the outside edge (1) of the glove compartment.

Use cable tie **F** to secure connection cable **B** to the hole (2) in the dashboard support to act as strain relief.

6. To connect the cable kit



Disconnect the following cables from plug **X13812** (black 16-pin) of the radio receiver and connect to socket casing **G**:

- Red/green cable from PIN 15 to socket casing **G** PIN 1
- Brown cable from PIN 12 to socket casing **G** PIN 2

Connect branches **A1** and **A2** to plug **X13812** as follows:

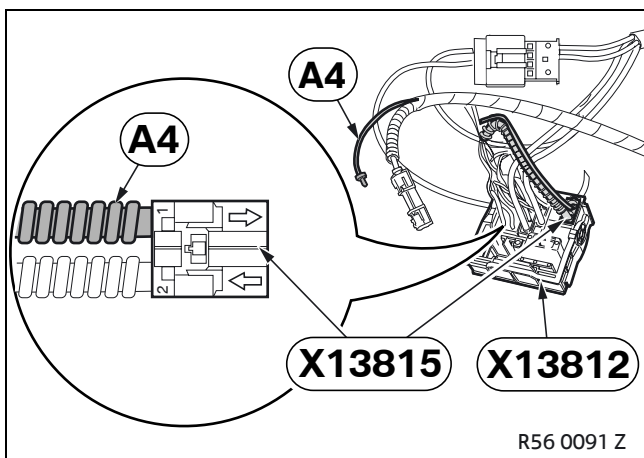
- Branch **A1**, red cable, to PIN 15
- Branch **A2**, brown cable, to PIN 12

Connect branch **A3** to socket casing **G**.

Unclip fibre optic cable casing **X13815** (black 2-pin) from plug **X13812** (black 16-pin) of the radio receiver.

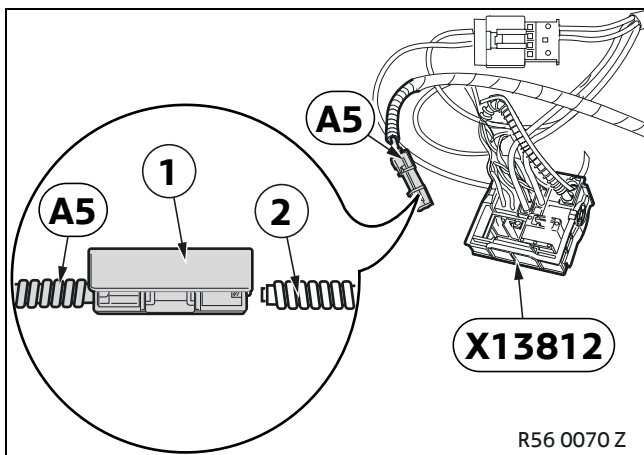
Disconnect the incoming fibre optic cable from fibre optic cable casing **X13815** PIN 1 and connect branch **A4**.

Clip fibre optic cable casing **X13815** into plug **X13812**.

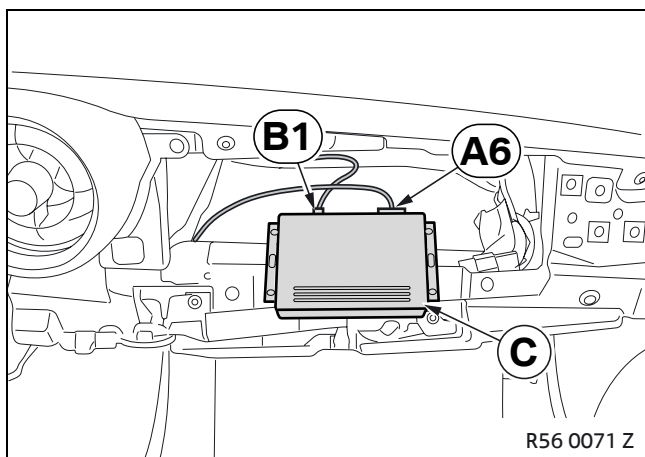


Unlock the fibre optic cable connector (1) on branch **A5** and connect the previously disconnected fibre optic cable (2).

Connect plug **X13812** (black 16-pin) to the radio receiver.

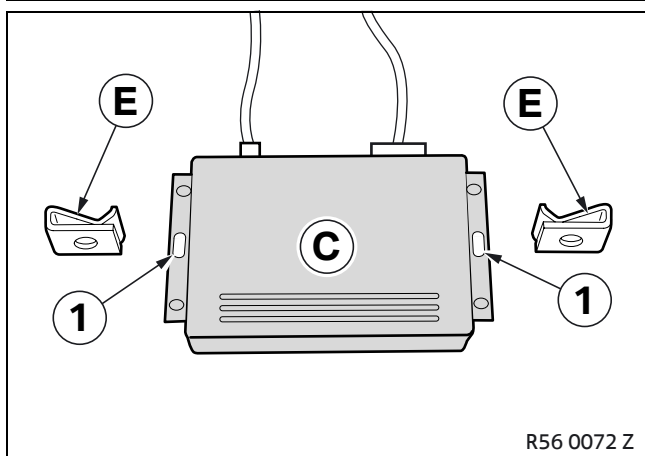


7. To install the interface

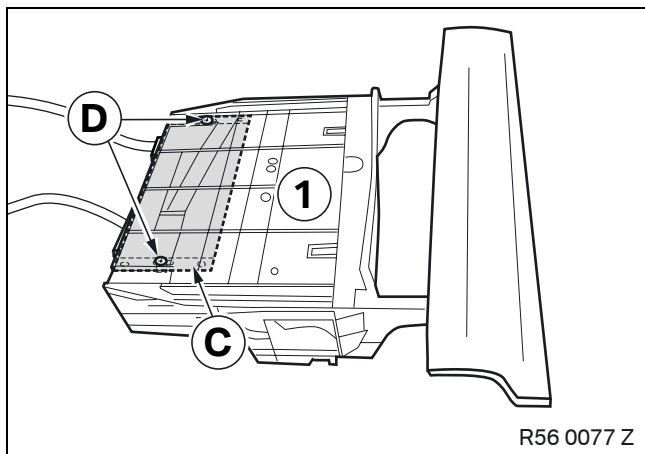


Route branch **A6** along the standard wiring harness to interface **C** and connect it.

Route branch **B1** to interface **C** and connect it.



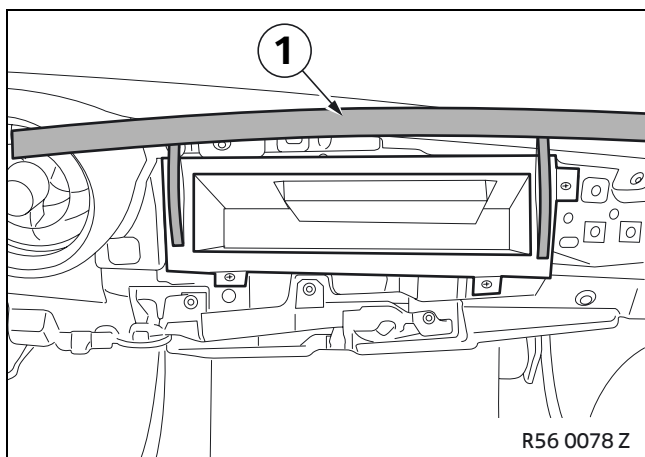
Push speed nuts **E** onto the slots (1) in the interface **C**.




Cars with SA 493 (shelf package) only

Use self-tapping screws **D** to screw interface **C** onto the inside at the top of the storage compartment (1).

Install the storage compartment (1) in the car.



 The flap (1) must be fixed after mounting the interface in order to avoid it being opened by the customer. ◀

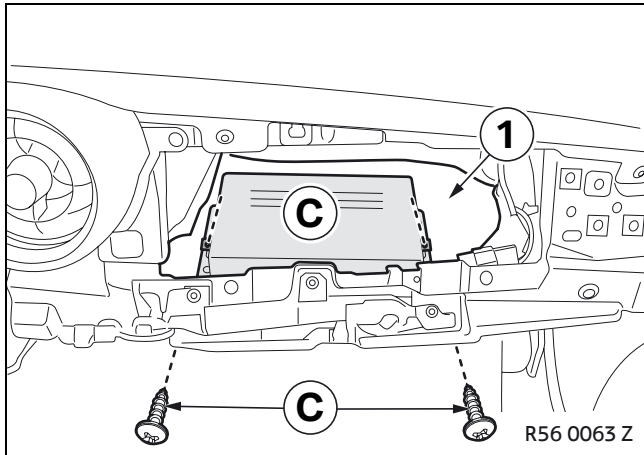
Attach Velcro or adhesive tape at a suitable point.

Close the flap (1).

7. To install the interface

Cars without SA 493 (shelf package) only

Use self-tapping screws **D** to screw interface **C** onto the glove compartment (1).

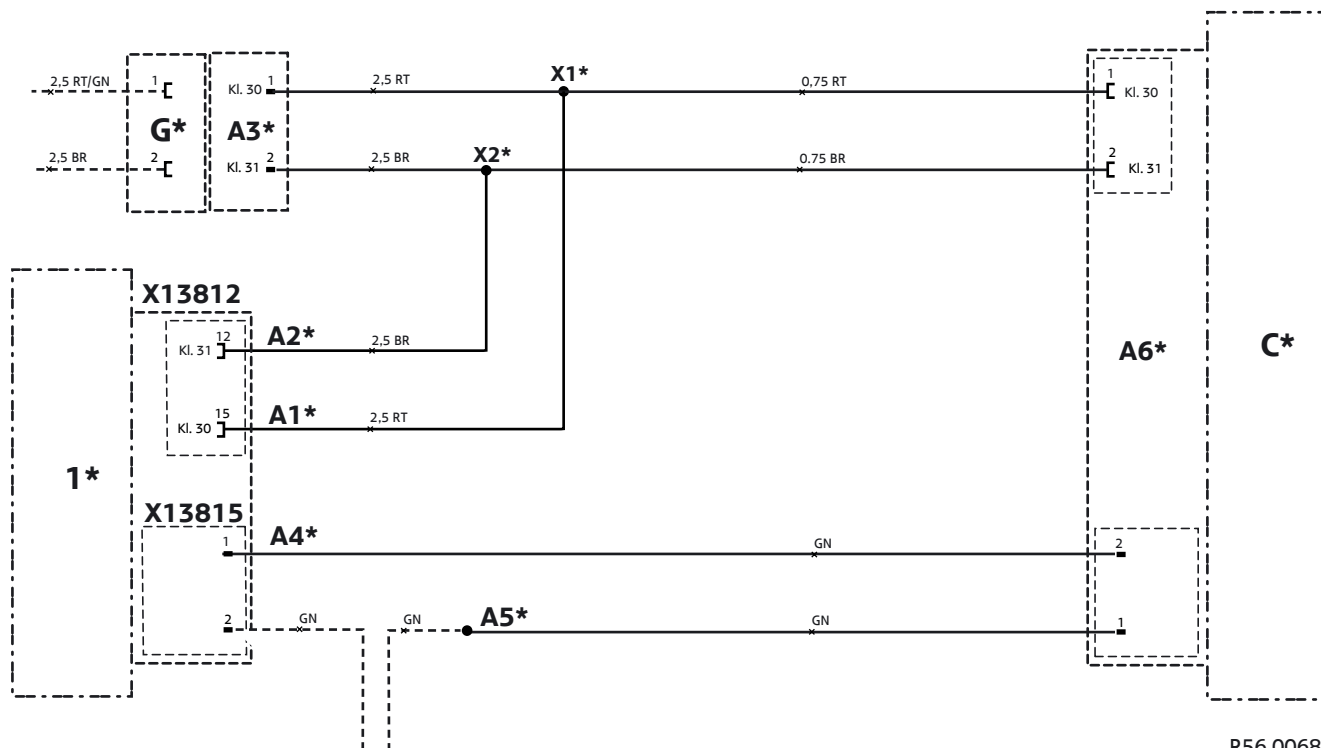


8. Concluding work and coding

The retrofit system requires coding.

- Connect the battery
- Encode/program the retrofit with SSS (software service station) via the **Retrofit** path
- Conduct a brief test
- Conduct a function test
- Re-assemble the car

9. Circuit diagram



R56 0068 Z

Legend

- A1*** Socket contact
- A2*** Socket contact
- A3*** Black 4-pin plug casing
- A4*** Fibre optic cable
- A5*** Fibre optic cable connector
- A6*** Black 4+2-pin socket casing

- C*** Interface

- G*** Black 4-pin socket casing

- X1*** Terminal 30 connector
- X2*** Terminal 31 connector
- X13812** Black 16-pin socket casing
- X13815** Black 2-pin socket casing

- 1*** Radio receiver

All the designations marked with an asterisk (*) apply only to these installation instructions or this circuit diagram.

Cable colours

- | | | | |
|----|-------|----|-------|
| BR | Brown | RT | Red |
| GN | Green | SW | Black |