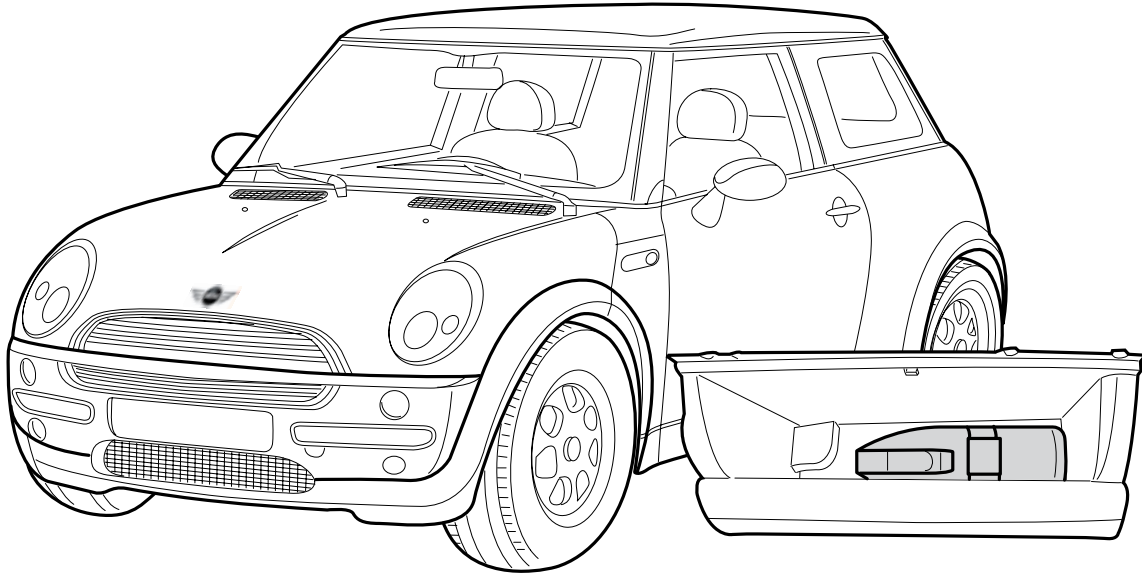




Parts and Accessories Installation Instructions



050 0265 B

Retrofit Kit Fire Extinguisher MINI (R50 / R53)

The installation time is approx. 0.5 hours, but this may vary depending on the condition of the car and the equipment in it.

Retrofit kit No. 72 60 0 140 504

Contents

Section	Page
Important information for the installation of the fire extinguisher	3
1. Preparations	4
2. Parts list	5
3. To install the fire extinguisher	6

Important notes on the installation of the fire extinguisher

The fire extinguisher may only be installed by a specialist workshop that has the required special tools and manuals.

All the figures show LHD cars, proceed in exactly the same way on RHD cars.

Item numbers refer only to the overview drawings and to the texts next to the appropriate figure.

Subject to technical modifications

Special tools required

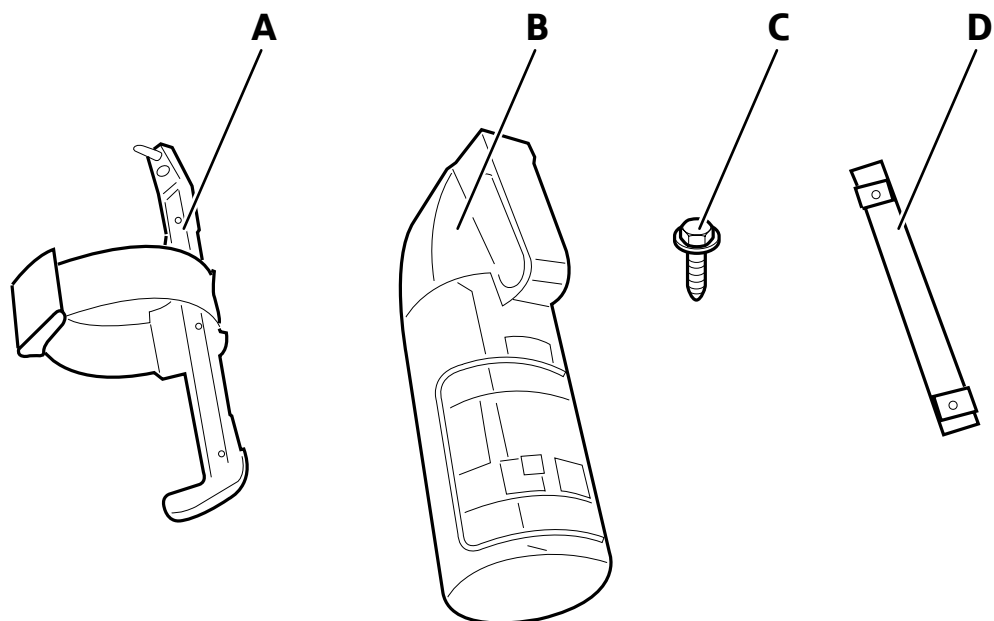
None

1. Preparations

TIS instruction No.

Remove the oddments box

2. Parts list

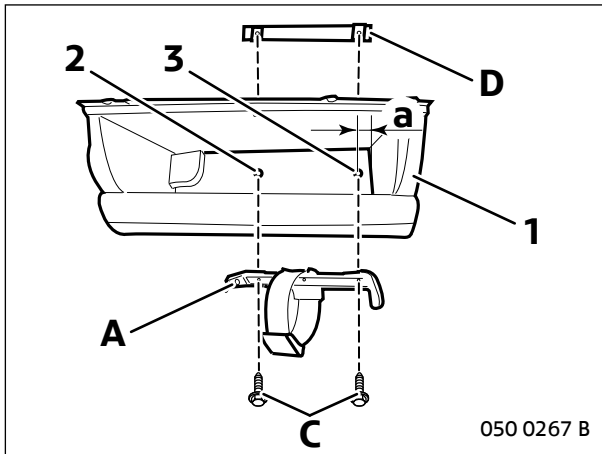


050 0266 B

Legend

- A Fire extinguisher holder
- B Fire extinguisher
- C Hexagonal screw M5x15 (2x)
- D Retaining plate with 2 speed nuts M5

3. To install the fire extinguisher

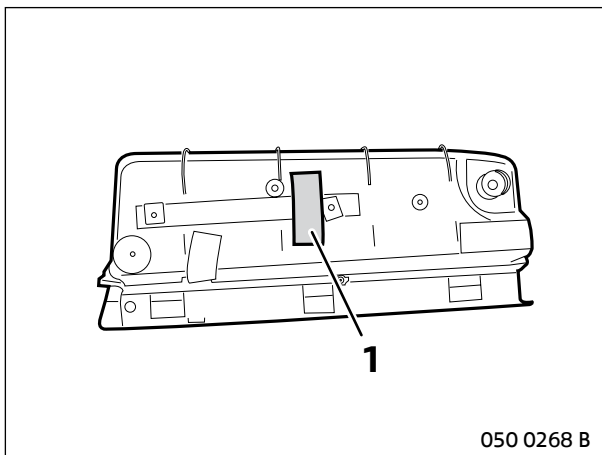


Place the fire extinguisher holder A in the centre of the oddments box (1) as a template.

Dimension a = 30 mm

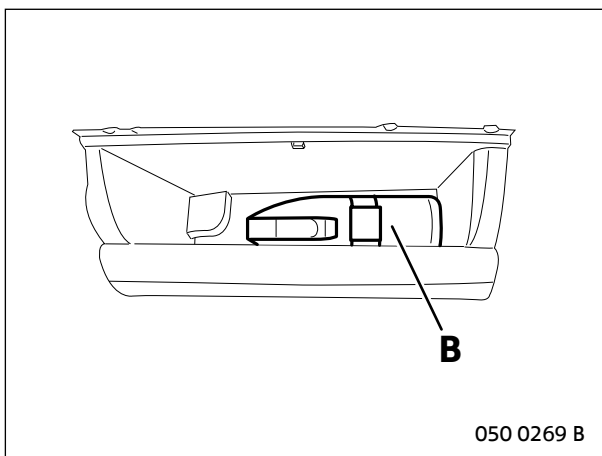
Drill a 5 mm hole at each of positions (2) and (3).

Attach the fire extinguisher holder A using the retaining plate D and hexagonal screws C.



Rear of oddments box. ◀

Affix the supplied protective strip (1) as shown.



Install the oddments box and hook in the fire extinguisher B.